

ROADMASTER, INC.

Always Setting New Standards for the Towing Industry

FALCON™ 5250
MOTORHOME MOUNTED TOW BAR
WITH **STAINLESS STEEL**



**TOW BAR
RATED
5000**

CONGRATULATIONS!

YOU HAVE PURCHASED THE FINEST TOW BAR MADE

IMPORTANT DOCUMENT

THIS BOOKLET MUST BE GIVEN TO THE CUSTOMER

OWNER'S MANUAL

**WARRANTY & REGISTRATION CARD
INFORMATION PERTAINING TO THE
PROPER USE OF THIS PRODUCT**

CONTENTS MUST BE READ BY OWNER

To qualify for your Warranty you must completely fill out and return the attached warranty registration card within (30) thirty days of purchase to ROADMASTER, INC.

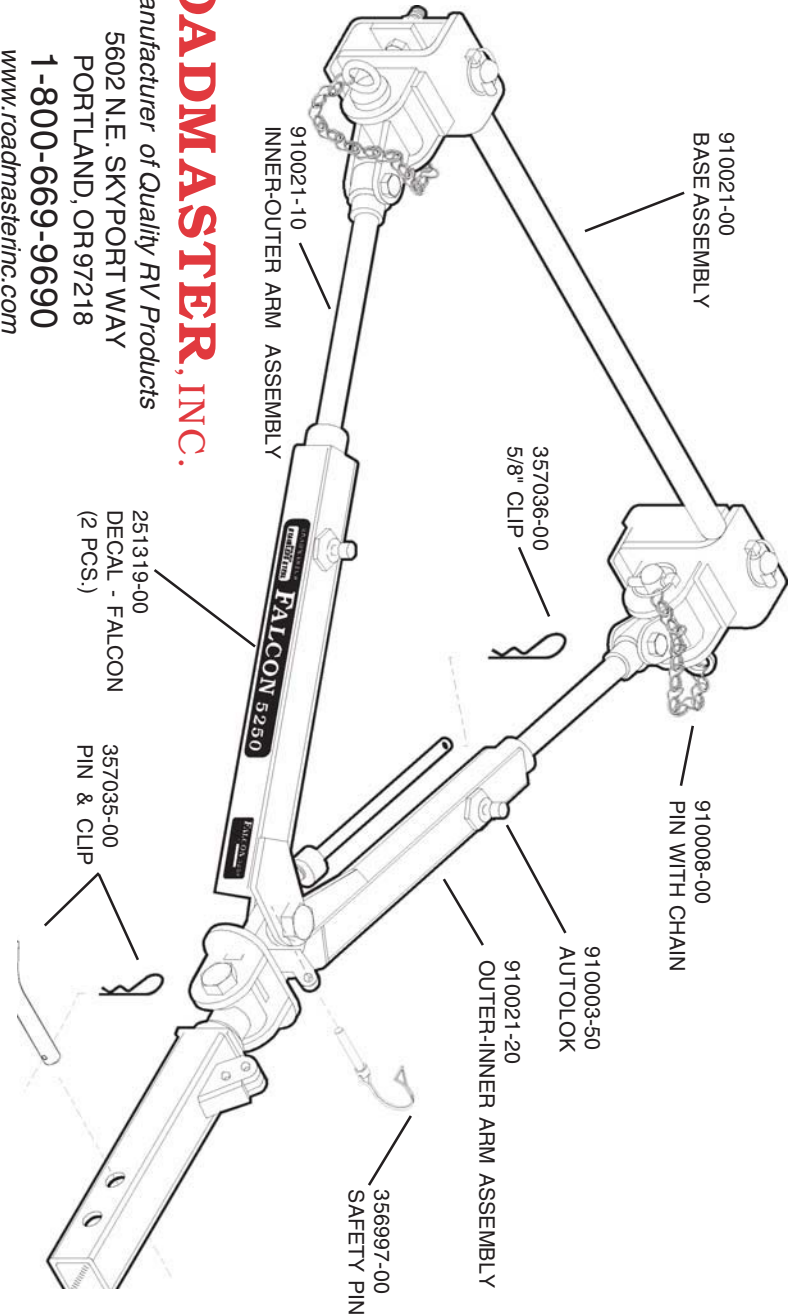
WARRANTY PROCEDURES

If you have any problems with this product, immediately contact ROADMASTER at 1-800-669-9690. If necessary, we can direct you to your nearest warranty service center and make arrangements for any warranty repairs or replacements. While under warranty, ROADMASTER will make arrangements for your product to be repaired or replaced. **Do not purchase replacement parts or pay for labor - you will not be reimbursed.** See section titled "Roadmaster Limited Warranty" for specific details.

ALL SPECIFICATIONS ARE SUBJECT TO CHANGE WITHOUT NOTICE.

R
O
A
D
M
A
S
T
E
R

Always Setting New Standards for the Towing Industry



ROADMASTER, INC.

Manufacturer of Quality RV Products

5602 N.E. SKYPORT WAY
PORTLAND, OR 97218
1-800-669-9690
www.roadmasterinc.com

251319-00
DECAL - FALCON
(2 PCS.)

357035-00
PIN & CLIP

356997-00
SAFETY PIN

ROADMASTER LIMITED WARRANTY

*Congratulations on your new **FALCON™ 5250** tow bar...and **THANK YOU**. You have purchased the finest tow bar made...bar none! Quality materials, computer technology and our reputation for craftsmanship have gone into each of our precision folding tow bars. Each of our products is designed for safe, trouble-free towing. Your safety is important to us. This booklet was written with your safety in mind.*

*Before using your tow bar, read this booklet. Understand how to install & maintain your tow bar and carefully follow all the instructions and safety precautions. **Remember, proper installation and use of the product is the sole responsibility of the purchaser. Improper installation, use or maintenance may result in death, personal injury, property damage or an accident.***

*A good time to check your mounting brackets is during your regular vehicle maintenance check-ups such as an oil change, brake check or tire rotation. Don't forget to keep your tow bar clean and lubricated on a regular basis. We offer a silicone spray specifically for this purpose. Using our vinyl tow bar cover will help keep your tow bar free from dirt and road grime assuring easy hook-up and operation. **Safety cables or chains are required by law in most states.** Follow our safety cable installation in this booklet.*

To qualify for your Warranty you must completely fill out and return attached warranty registration card within (30) thirty days of purchase to ROADMASTER, INC. As a bonus, we'll extend your warranty to a total of two years at no additional cost.

ROADMASTER, INC.

ROADMASTER, Inc. warrants to the original retail purchaser-consumer of this product that such product when used for its normal intended purposes is free of defects in workmanship and materials. This warranty, together with any and all warranties implied by law, shall be limited to a duration of one (1) year from the date of purchase by the original retail purchaser-consumer and is not transferable.

This warranty only covers failures due to defects in materials or workmanship which occur during normal and proper use and does not cover damage which occurs in shipment, backing up with "towed" vehicle attached or failures which are caused by products not supplied by ROADMASTER, Inc. or failures which result from normal wear, misuse, abuse, neglect, mishandling, misapplication, faulty installation, setup adjustments, improper maintenance, alteration, maladjustment, modification, commercial use or service of the product by anyone other than ROADMASTER, Inc.. Furthermore, this warranty does not apply to any product or material or part which has been installed, maintained or used contrary to the operating, maintenance or installation instructions and shall not apply to any parts or materials used in the installation that were not supplied with the product in the original carton or to any damage which said parts or materials may cause.

THIS WARRANTY DOES NOT COVER, AND IS INTENDED TO EXCLUDE, ANY LIABILITY ON THE PART OF ROADMASTER, INC., WHETHER UNDER THIS WARRANTY OR UNDER ANY WARRANTY IMPLIED BY LAW, FOR ANY INCIDENTAL OR CONSEQUENTIAL DAMAGES. SOME STATES DO NOT ALLOW THE EXCLUSION OR LIMITATION OF INCIDENTAL OR CONSEQUENTIAL DAMAGES, SO THE ABOVE LIMITATION OR EXCLUSION MAY NOT APPLY TO YOU.

RESPONSIBILITY OF ROADMASTER, INC.

With proof of date of purchase by the consumer, ROADMASTER's responsibility under this warranty shall be limited to the repair or replacement (at its option) of any product or part which is actually defective at no charge to the consumer except for shipping and/or mailing charges. In no event shall ROADMASTER's liability under any claim or theory exceed the purchase price of the equipment in respect of which damages are claimed. No agent, representative, dealer or employee has the authority to alter or increase the obligations or limitations of this warranty. All specifications are subject to change without notice.

RESPONSIBILITY OF THE PURCHASER

In order to qualify for this warranty, the purchaser must completely fill out and, within thirty (30) days of purchase, send to ROADMASTER, Inc. the attached warranty registration card. The purchaser must contact ROADMASTER, Inc. prior to returning any product so that ROADMASTER may determine the nature and extent of the claim and to obtain a return authorization number. Returned products must include the return authorization number and a copy of the sales slip as proof of purchase. The date of purchase must coincide with the original warranty registration card on file. If return of the product is required, it must be shipped prepaid UPS to ROADMASTER, Inc. at the address listed below.

ROADMASTER, INC.

5602 N.E. SKYPORT WAY PORTLAND, OR 97218 www.roadmasterinc.com

1-800-669-9690

ROADMASTER

FREE BONUS

EXTENDED WARRANTY

You must fill out & mail the warranty registration card within thirty (30) days from the date of purchase to qualify for your warranty. If we receive your card within 30 days, we will extend the coverage to a total of **TWO (2) years** at no extra charge.

DON'T DELAY - MAIL IT TODAY TO EXTEND YOUR WARRANTY COVERAGE

Your warranty registration is an important record for **ROADMASTER** to keep in touch with you. It also enables us to expedite any future claim, update or recall that may arise concerning our products.

IMPORTANT

FILL OUT - TEAR OFF & MAIL WITHIN 30 DAYS TO QUALIFY FOR YOUR WARRANTY AND TO RECEIVE YOUR ONE YEAR EXTENSION.

CAN'T LOCATE YOUR TOW BAR SERIAL NUMBER?

YOUR TOW BAR SERIAL NUMBER IS ON A METAL LABEL LOCATED ON THE PASSENGER SIDE OF YOUR TOW BAR. YOU WILL NEED THAT NUMBER WHEN YOU FILL OUT YOUR TOW BAR WARRANTY INFORMATION.



SERIAL NUMBER # _____

WARRANTY PROCEDURES

If you have any problems with this product, immediately contact ROADMASTER at 1-800-669-9690. If necessary, we can direct you to your nearest warranty service center and make arrangements for any warranty repairs or replacements. While under warranty, ROADMASTER will make arrangements for your product to be repaired or replaced. **Do not purchase replacement parts or pay for labor - you will not be reimbursed.** See section titled "Roadmaster Limited Warranty" for specific details.

Always Setting New Standards for the Towing Industry

R O A D M A S T E R, I N C.

FALCON™ 5250

MOTORHOME MOUNTED TOW BAR

WITH **STAINLESS STEEL**

TOW BAR
RATED

5000 LBS.



IMPORTANT

DO NOT TOW A VEHICLE USING MOUNTING BRACKETS, SAFETY CABLES OR A RECEIVER RATED LESS THAN THE ACTUAL WEIGHT OF YOUR VEHICLE

This booklet contains information concerning:

- **THANK YOU & INTRODUCTION** inside front cover
- **TABLE OF CONTENTS** pg. 1
- **10 MUSTS FOR TOWING SAFETY** pg. 2
- **INSTALLER MUSTS FOR TOWING SAFETY** pg. 3
- **HOOK-UP INSTRUCTIONS** pg. 4-6
- **SAFETY CABLE INSTALLATION** pg. 6
- **CAUTION NOTICES** pg. 7
- **CARE & CLEANING** pg. 8
- **ROADMASTER PRODUCTS** pg. 9-10
- **WARRANTY INFORMATION** pg. 11
- **FREE BONUS INFORMATION** pg. 12
- **ROADMASTER WARRANTY** inside back cover

All illustrations and specifications contained herein are based upon the latest information available at time of publication. ROADMASTER, INC. reserve the right to make changes at anytime without notice in material, specification and models or to discontinue models.

ROADMASTER, INC.

Manufacturer of Quality RV Products

10 MUSTS FOR TOWING SAFETY

1. TOW BAR MUST BE LEVEL WITH THE MOTORHOME. DO NOT TOW IF TOW BAR IS OVER 6 INCHES OFF LEVEL IN EITHER DIRECTION

Towing with an upward or downward slope of the tow bar puts undue strain on the tow bar and mounting brackets. Do not tow if tow bar is over 6 inches off level.

2. STEERING MUST BE UNLOCKED AND FREE TO TURN WHEN TOWING

Failure to do so can result in severe tire and equipment damage. Steering wheel must be free to turn when towing.

3. DRIVER MUST NOT BACK UP MOTORHOME WITH VEHICLE ATTACHED

Backing up with towed vehicle attached easily causes the vehicle to "jack-knife" and will damage the tow bar, mounting bracket, hitch, the towed vehicle front end and/or rear of the motorhome. This is the primary cause of tow bar "A" frame damage and will void the warranty.

4. TOW BAR MUST BE SECURED WITH LINCH PINS AND/OR PADLOCKS BEFORE TOWING

Unless the tow bar is secured to both vehicles with all designated linch pins and/or padlocks, you will lose your towed vehicle.

5. OWNER MUST KEEP THE TOW BAR CLEAN AND WELL LUBRICATED

As is the case with most precision equipment, frequent cleaning and care results in prolonged service. Details for cleaning & lubricating your **FALCON** tow bar are outlined in the section titled "**Care and Cleaning**" (pg. 8).

6. OWNER MUST INSPECT ALL MOUNTS, BRACKETS AND FASTENERS

Visually inspect ALL bolts, wiring, cables and metal components each time before you tow to avoid problems on the road. Check brackets every 3,000 miles. Inspect for any fractures or cracks in the steel or any visible damage. **Do not tow if damaged.**

7. OWNER MUST FILL OUT & MAIL THE WARRANTY REGISTRATION CARD

It is **IMPORTANT** that you send in a completely filled out registration card as soon as possible. The information is needed in case we must contact you for updates, recalls and to verify your warranty.

8. OWNER MUST CHECK MANUFACTURER'S INSTRUCTIONS FOR TOWING

Some vehicles require a transmission lube pump, axle disconnect, driveline disconnect or free-wheeling hubs to tow without damaging equipment. Failure to properly equip vehicle will result in severe damage to the transmission. Check manufacturer's specifications for the proper procedure to prepare vehicle for towing. Be sure your vehicle is towable before taking it on the road.

9. OWNER MUST NEVER TOW VEHICLE WITH A LIGHTER VEHICLE

Towing a vehicle equipped with a tow bar using a lighter weight vehicle will cause the rear vehicle to over-ride the front vehicle, resulting in "jack-knifing", "leap-frogging", "fish-tailing" or other damage provoking predicament. Serious damage to both vehicles and the towing system equipment could result.

10. OWNER MUST ALWAYS USE SAFETY CABLES OR CHAINS WHEN TOWING

A frame to frame safety cable or chain hookup is legal in ALL states that require them. Although chains are acceptable, most towing veterans prefer cables. ROADMASTER Safety Cables are designed especially for tow bar safety, security and are legal in all states.

FAILURE TO FOLLOW INSTRUCTIONS MAY RESULT IN PROPERTY DAMAGE, PERSONAL INJURY OR DEATH.

WARRANTY INFORMATION

FOR YOUR RECORDS ONLY! This information is a duplicate of the warranty card you filled out and sent to us. **THANK YOU.**

NAME: _____

ADDRESS: _____

CITY: _____ STATE: _____ ZIP: _____

PHONE: () _____

DATE: _____

TOW BAR PURCHASED FROM: _____
Dealer Name

ADDRESS: _____

CITY: _____ STATE: _____ ZIP: _____

PURCHASE PRICE : \$ _____

TOW BAR SERIAL # : _____

VEHICLE TO BE TOWED:

MAKE: _____ YEAR: _____

MODEL: _____

SHIFT:
AUTOMATIC STANDARD 4WD

TOWING VEHICLE INFORMATION: (e.g. MOTORHOME)

MAKE: _____ CLASS: _____

MODEL NAME: _____ YEAR: _____

INSTALLER INFORMATION:

BUS. NAME: _____

ADDRESS: _____

CITY: _____ ST: _____ ZIP: _____

PHONE: () _____

ROADMASTER, INC.

5602 N.E. SKYPORT WAY PORTLAND, OR 97218

1-800-669-9690

www.roadmasterinc.com

HY-POWER™

DIODES

By preventing electrical feedback, **ROADMASTER**'s **HY-POWER**™ diodes allow you to splice into the towed car's wiring system without damaging expensive electronic dash components. Reduces wiring hassles. Trouble-free operation. Heavy-duty 85 amp rating and 350° tolerance guarantee trouble-free operation. Two pack required for most vehicles.



Part # 790 - single
Part # 792 - 2 pack
Part # 793 - 3 pack

FLEXO-COIL™

WIRING KITS

Conducts electricity between towed vehicle and motorhome. Cable expands to over 8' and conveniently contracts for storage. One model consists of four 16 gauge wires while the other model consists of four 16 gauge *and* two 14 gauge wires. Both models are vinyl coated & spring coiled. Plugs are injected with silicone to prevent corrosion. The wires are water, oil and chemical resistant.



6-wire
FLEXO-COIL
Part # 146

4-wire
FLEXO-COIL
Part # 164

LUBEMASTER™

100% PURE SILICONE SPRAY

A 100% pure silicone spray that is odorless and safe. Recommended for use on the **FALCON5250** tow bar. **LUBEMASTER**™ is a dry lubricant and won't attract dirt or grime that can cause binding. **LUBEMASTER**™ can be used on awning arms, window tracks, folding steps and hundreds of other applications around the home and RV. Large 11 oz. can.



Part # 747

INSTALLER MUSTS FOR SAFETY

- INSTALLER MUST SHOW OWNER TO PROPERLY OPERATE THE TOW BAR**
Carefully read the section "Hook-up Instructions" and familiarize yourself with the features of the tow bar. Demonstrate it and have the owner do a few "practice runs". You not only impress your customer with your thoroughness, but will start your customer off on a safer and happier towing experience.
- INSTALLER MUST CAUTION OWNER TO USE A HITCH OR RECEIVER FOR THE MOTORHOME THAT IS RATED AT 5,000 LBS.**
- INSTALLER MUST CAUTION OWNER TO SECURE TOW BAR TO BOTH VEHICLES WITH DESIGNATED LINC H PINS AND/OR PADLOCKS.**
Unless all the required pins/padlocks are used to secure the tow bar to both vehicles, the owner *will* lose his towed vehicle.
- INSTALLER MUST BOLT THE FALCON QD BASE TO A 5,000 LB. RATED MOUNTING BRACKET ATTACHED TO THE TOW VEHICLE'S FRAME OR UNIBODY.**
The **FALCON5250** tow bar is designed as a bolt-on device only. Virtually all vehicles require a mounting bracket assembly that is connected safely to the frame, unibody or chassis and extends beyond the bumper. Using a 5,000 lb. rated mounting bracket kit designed by **ROADMASTER** takes the burden of doubt out of the installer's hands. **Under no circumstances should the tow bar be welded to the vehicle, nor should any of the pre-punched mounting holes be altered.** In fact, any welding or altering of the tow bar will void the Owner's Warranty.
- INSTALLER MUST ADVISE OWNER TO USE 5000 LB. RATED SAFETY CABLES**
Frame to frame safety cable or chain hook-up is legal in ALL states that require them. Although chains are acceptable, most towing veterans prefer cables. Cables are easier, cleaner and lighter to handle and are just as reliable as chains. **ROADMASTER** manufactures 5,000 lb. rated safety cables with single and double hooks. Since laws vary state to state, check owner's home state regulations for exact requirements that may apply.
- INSTALLER MUST STRESS IMPORTANCE OF OWNER SENDING IN WARRANTY**
New owners are to be urged to mail their **Warranty Registration Card** as soon as possible. This will enable **ROADMASTER** to expedite any claim or update important information concerning their **FALCON5250** tow bar.
- INSTALLER MUST READ INSTRUCTIONS THOROUGHLY BEFORE MOUNTING THE TOW BAR**
Proper mounting of the tow bar is of utmost importance. Proper centering and height positioning of the tow bar will give the owner a safe, dependable and trouble-free towing system.
- INSTALLER MUST BE SURE THE VEHICLE IS SUITABLE OR ADAPTABLE FOR TOWING**
Not all vehicles can be safely towed as manufactured. A few models are not towable under any conditions and others with automatic transmissions require additional equipment such as a transmission lube pump, axle lock, driveline disconnect or free-wheeling hubs to make them towable. Failure to properly equip the towed vehicle will result in severe damage to the transmission. Also, the steering wheel **MUST** be unlocked for towing. Check manufacturer's specifications for the proper way to unlock the steering wheel.

FALCON™ 5250

HOOK-UP INSTRUCTIONS

WARNING:

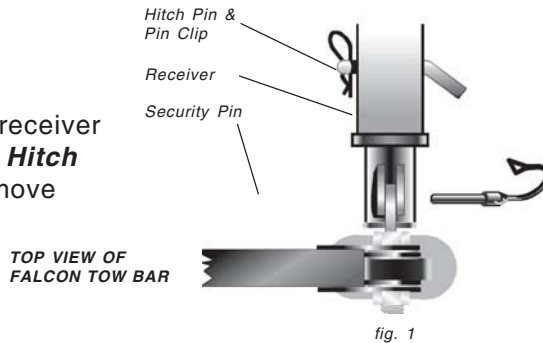
Use caution when operating the tow bar to be sure that your hands, fingers or any part of your body does not get caught between any moving components. Doing so can result in pinching, crushing or cutting causing personal injury.

STEP 1

Follow *Installation Instructions* (in separate envelope) to mount **FALCON QD Base**

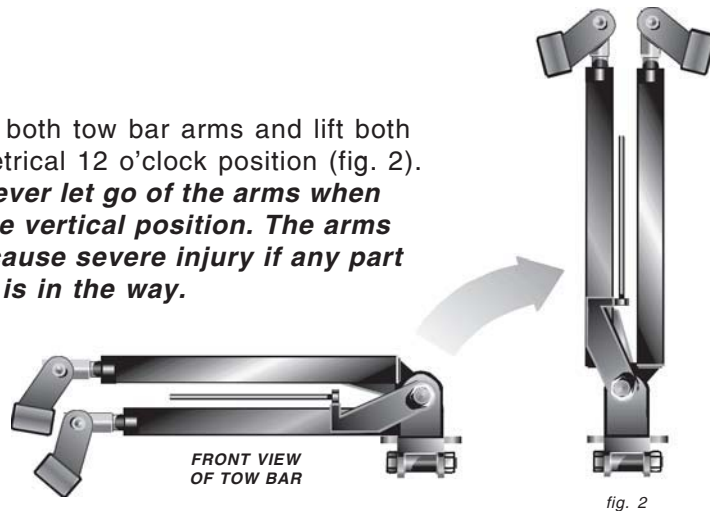
STEP 2

Insert **FALCON** tow bar into receiver (fig.1) and secure with included **Hitch Pin & Pin Clip**. Unclip and remove **Security Pin**.



STEP 3

Firmly hold both tow bar arms and lift both arms to the vertical 12 o'clock position (fig. 2). **WARNING: Never let go of the arms when they are in the vertical position. The arms can fall and cause severe injury if any part of your body is in the way.**



ROADMASTER SUGGESTS

GUARDIAN™

Protect your towed vehicle's windshield, finish and resale value with this attractive towed car shield. The **GUARDIAN™** is crafted from hollow rotational molding utilizing a solid black high-impact polyethylene. The center panel easily attaches to the tow bar mounting bracket. Connecting rods attach the two side panels. The **GUARDIAN™** can be removed in seconds. It is 26" tall x 71" wide with a -40° F to 200° F tolerance.



Part # 4000
Second Vehicle Kit Part # 4000-1
Stowaway storage bracket
Part # 4000-10

UNIVERSAL WIRING KIT

The **UNIVERSAL WIRING KIT** contains the components necessary to wire cars or trucks for towing behind a motorhome. Prevents electrical feedback and protects both vehicle's electrical systems. The kits come with step-by-step instructions. The **BEST** towed car wiring kit available.



SAFETY CABLES

Unsurpassed for strength and safety. **ROADMASTER SAFETY CABLES** use a heavy-duty, drop-forged steel hook. The cables are extremely strong, light, easy to use and easy to keep clean. Galvanized steel braided cables with vinyl coating. Each kit contains 2 cables. Available in 5,000 lb. and 8,000 lb. rating with single or double hook.



FALCON™ 5250

CARE & CLEANING

Good equipment with moving parts, such as the **FALCON™ 5250** tow bar, requires lubricating and cleaning on a regular basis. When towing a vehicle at normal speeds, the tow bar is being subjected to "sand blasting" by road debris and particles of grit or dirt. The following tips will help you maintain the condition of your tow bar and prolong the life of your towing system.

- Clean the entire surface of the tow bar with WD-40® or a similar product. Then completely wipe off the WD-40® with a clean dry cloth.
- Spray over the entire surface of the unit using **ROADMASTER's LUBEMASTER™** or similar silicone lubricant. Silicone lubricant will produce a protective film but will not attract dirt.

Proper cleaning and lubrication of the tow bar will help prevent corrosion on your tow bar and provide smooth operation.

NOTE: Silicone lubricant is safe for all painted surfaces and will help preserve the finish of the tow bar.

CAUTION!

NEVER BACK UP WHEN TOWING YOUR VEHICLE

Backing up while the towed vehicle is attached, will easily "jackknife" the vehicle being towed. This will result in damage to the towed vehicle, hitch, tow bar assembly, and/or motorhome.

ROADMASTER, Inc. assumes no responsibility for any damage that is caused by improper use. Backing up with a towed vehicle is considered "improper use".

FAILURE TO FOLLOW INSTRUCTIONS MAY RESULT IN PROPERTY DAMAGE, PERSONAL INJURY OR DEATH

STEP 4

Bring both arms down to a horizontal position. Swing both arms away from you, aligning the outermost arm with the tabs on the **QD Base**. Using the included **Base Pin**, attach the arm and secure with the linch pin or optional padlock (fig. 3).

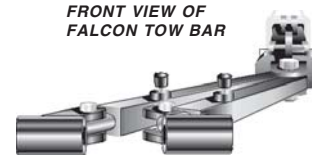
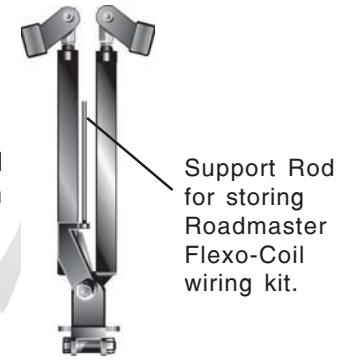


fig. 3



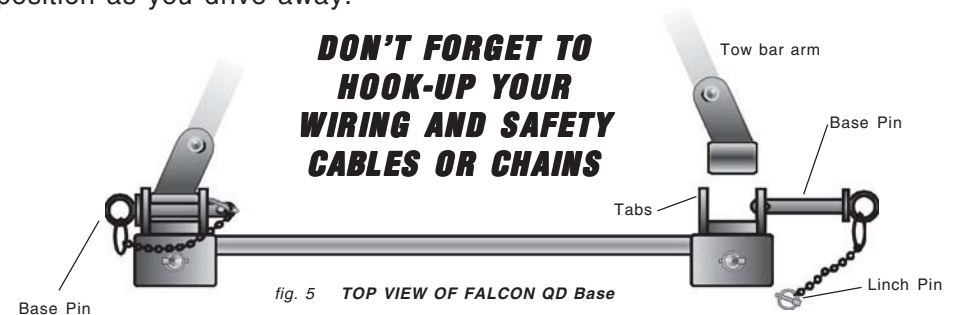
Support Rod for storing Roadmaster Flexo-Coil wiring kit.



fig. 4

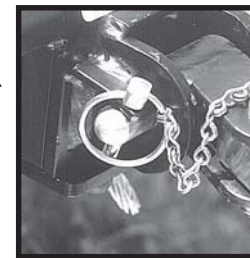
STEP 5

Now, swing the other arm to the opposite side and connect in the same manner (fig. 4). The **FALCON's** unique "**Assist Bushings**" allow easy hook-up as they support most of the tow bar's weight. Your tow bar will center itself and the **AUTOWLOK System** will "**SNAP**" into position as you drive away.



DON'T FORGET TO HOOK-UP YOUR WIRING AND SAFETY CABLES OR CHAINS

fig. 5 TOP VIEW OF FALCON QD Base



IMPORTANT
FALCON Base Pins
MUST BE INSTALLED
and locked as shown in this photo

FAILURE TO FOLLOW INSTRUCTIONS MAY RESULT IN PROPERTY DAMAGE, PERSONAL INJURY OR DEATH

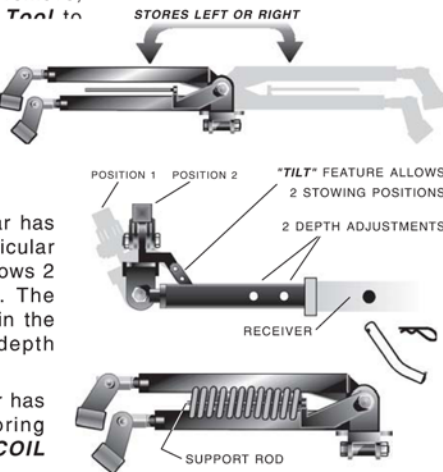
STEP 6

To disconnect, just reverse your steps to hook-up. **CAUTION: Towed vehicle must be in PARK gear and emergency brake on when unhooking the towed vehicle from the motorhome, or the towed vehicle will roll away when tow bar and safety cables are removed.** If the **Base Pin** is difficult to remove, use the included **Release Tool** to relieve tension.



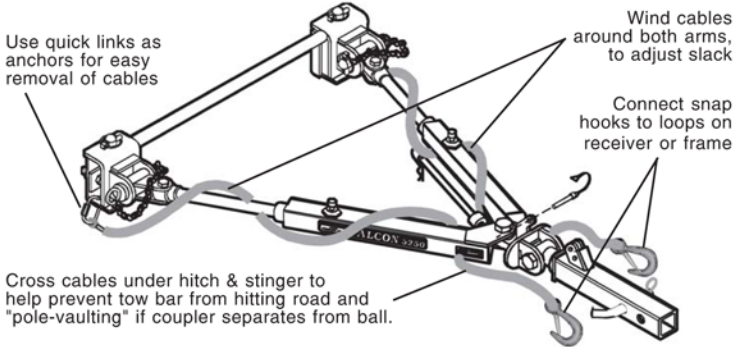
Your **FALCON** tow bar has number of storage features:

1. Your **FALCON** tow bar can be stored on your motorhome left or right
2. Your **FALCON** tow bar has adjustments to fit your particular need. The **"TILT"** feature allows 2 different stowing positions. The **FALCON** also has 2 holes in the drawbar for 2 mounting depth adjustments.
3. Your **FALCON** tow bar has a **SUPPORT ROD** for storing **ROADMASTER's FLEXO-COIL** wiring kit.



PROPER INSTALLATION OF SAFETY CABLES

WARNING: USE ONLY 5,000 LB. (or higher) RATED SAFETY CABLES



Cross cables under hitch & stinger to help prevent tow bar from hitting road and "pole-vaulting" if coupler separates from ball.

IMPORTANT

Do not tow a vehicle using mounting brackets, safety cables or a receiver rated less than the actual weight of your vehicle.

CAUTION

Follow safety cable information in warranty packet. **SAFETY CABLES MUST CONNECT THE TOWING VEHICLE TO THE TOWED VEHICLE FRAME TO FRAME.**

WARNING

If you use any kind of receiver extension, the tow bar **MUST** be no more than 3 inches off level. **DO NOT TOW** if the tow bar is more than 3 inches out of level while using a receiver extension. Extensions cause the towing system to swing much higher and lower going over dips. The enlarged arc of motion creates excessive strain on the tow bar, brackets and frame, which can cause the towing system to fail, resulting in property damage, personal injury or even death.

WARNING

Do not tow your vehicle until the tow bar is secure with all pins and/or locks. Unless your tow bar is secured to both vehicles with all designed pins and/or padlocks, you will lose your towed vehicle.

STAY WITHIN THE 'SAFE ZONE'



Towing with a motorhome-mounted tow bar which has an upward or downward slope puts undue strain on the entire towing system. **DO NOT TOW** if the tow bar is not within the "Safe Zone" – no more than 3 inches above level or 3 inches below level. Towing a vehicle with a tow bar that is not within the Safe Zone will result in significant wear and tear on the tow bar and brackets, significant wear and tear on the vehicle's suspension and frame, and the eventual failure of your towing system.

To determine if your tow bar is within the Safe Zone – First, connect the motorhome and car on level ground. Measure the distance from the center of the motorhome receiver down to the ground. Then, measure the distance from the center of one of the base pins down to the ground.

Compare these two measurements. To be within the Safe Zone, they cannot be more than 3 inches apart if the base pin is above the motorhome receiver, or 3 inches apart if the base pin is below the motorhome receiver. If your tow bar is not within the Safe Zone, you will need to either:

Towing more than 3 inches above level or 3 inches below level will void the ROADMASTER Warranty.

WARNING Failure to follow these instructions may result in property damage, personal injury or even death.