

FALCON™ 5250

INSTALLATION INSTRUCTIONS

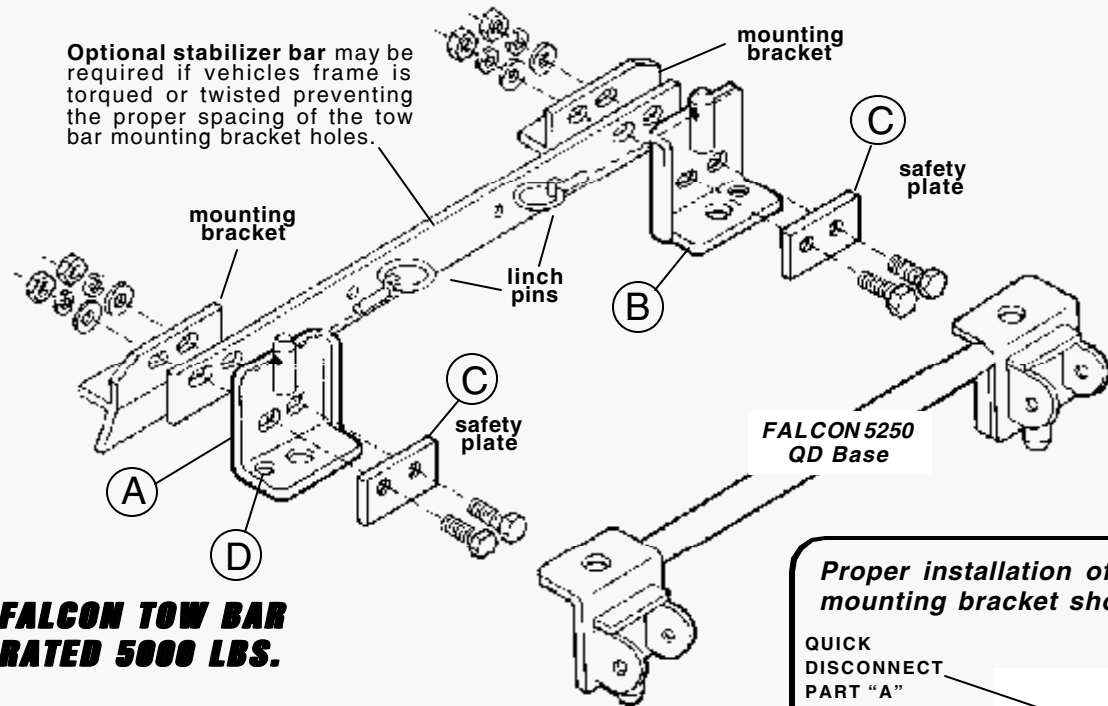


85 1364-10

ALL SPECIFICATIONS ARE SUBJECT TO CHANGE WITHOUT NOTICE

ROADMASTER, INC. 5602 N.E. SKYPORT WAY PORTLAND, OR 97218 800-669-9690 FAX (503) 288-8900 www.roadmasterinc.com

OWNERS AND INSTALLERS MUST READ THE INSTALLATION INSTRUCTIONS AND CAREFULLY NOTE THE WARNINGS!



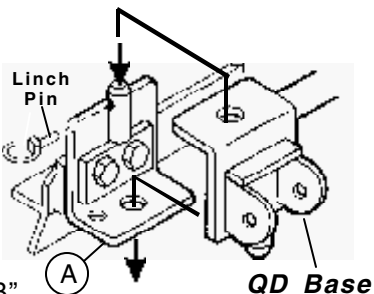
**FALCON TOW BAR
RATED 5000 LBS.**

1 Take part "A" and mount it on the passenger side as shown, using the supplied 1/2" x 1-1/2" bolts, safety plate "C", flat washers, lock washers and nuts. Do not tighten - leave loose for now - they *will* be tightened later.

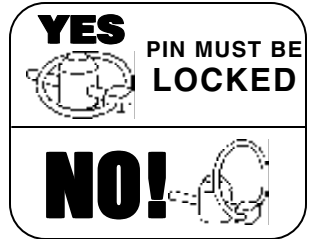
NOTE: Parts "A & B" have an extra hole "D" designed for safety cable attachment. Mount holes to outside

2 The remaining part "B" is to be mounted to the driver side of the mounting bracket. Be sure that the corner hole "D", is on the outer side of the bracket parts "A & B" which must also have the vertical pin facing upward to properly mount the **QD Base**. Use the supplied 1/2" x 1-1/2" bolts, safety plate "C", flat washers, lock washers and nuts. Do not tighten - leave loose for now, they *will* be tightened later.

3 Now, mount the **QD Base** by lowering it so that the vertical pins of parts "A & B" extend upward through the top holes of the **QD Base**. At the same time, be sure the lower vertical pins of the **QD Base** slide through the lower holes on parts "A & B".



4 Linch pins **must** be inserted through the upper holes in parts "A & B" and **locked** as illustrated in the column above to keep the **QD Base** stabilized.



IMPORTANT: Towing vibrations will force the linch pins to wiggle out unless they are properly **LOCKED** in place over the Quick-Disconnect pins. The proper locked position for the linch pins is illustrated above.

Proper installation of Quick-Disconnect at vehicle mounting bracket should look like this illustration

WARNING: Failure to install linch pins properly will result in tow warningbar malfunction, loss and damage to your vehicle and property, injury or even death. You will lose your car.

5 Now tighten all bolts to 75 ft.lbs. Attach safety cables to the holes "D" located to the outside of Quick Disconnect parts "A & B".

WARNING: Unless the safety cables are attached to the Quick-Disconnect mount properly, hole "D", the safety cables will not keep you from losing your towed vehicle in the event the QD Base comes off parts "A & B".

ROADMASTER RECOMMENDS REPLACING AT LEAST ONE LINCH PIN WITH A PADLOCK TO PREVENT ACCIDENTAL RELEASE OR THEFT.

Outdoor padlocks specifically designed for this purpose may be purchased. (ROADMASTER also recommends Padlocks part #301, 302, 303 and the 315 Receiver Lock to secure the FALCON in the receiver.)

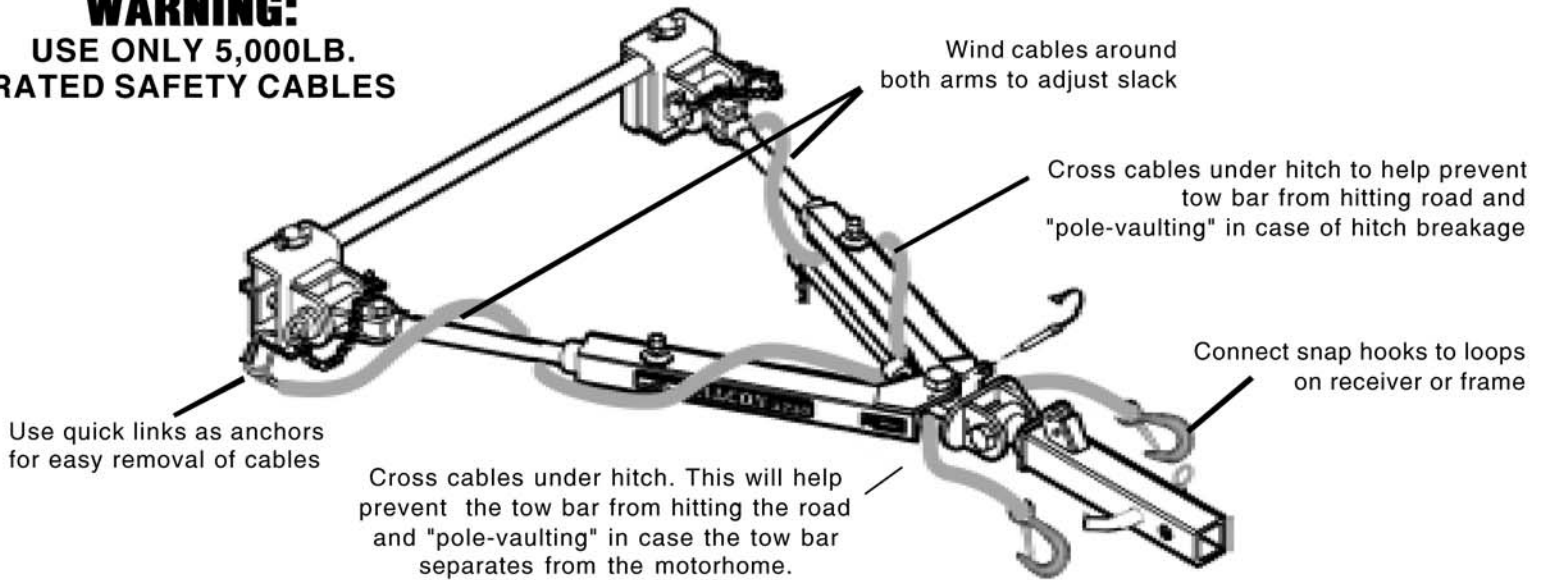
CAUTION

SAFETY CABLES MUST CONNECT THE TOWING VEHICLE TO THE TOWED VEHICLE FRAME TO FRAME.
FOLLOW SAFETY INFORMATION IN WARRANTY PACKET

PROPER INSTALLATION OF SAFETY CABLES

(OR CHAINS)

WARNING:
USE ONLY 5,000LB.
RATED SAFETY CABLES



ON LEVEL GROUND, DO NOT TOW IF TOW BAR IS OVER 3 INCHES OFF LEVEL IN EITHER DIRECTION



Towing with an upward or downward slope of the tow bar puts undue strain on the tow bar and mounting brackets. **DO NOT TOW** if the **FALCON** is over 3 inches off level as shown (see CAUTION below). To determine if your bar is at a safe angle:

- Connect car and motorhome on level ground.
- Measure from the ground to the center of the receiver.
- Measure from the ground to the center of the base pin.

FAILURE TO FOLLOW THESE INSTRUCTIONS CAN RESULT IN DEATH, PERSONAL INJURY OR PROPERTY DAMAGE

DANGER

DO NOT TOW YOUR VEHICLE UNTIL TOW BAR IS SECURE WITH ALL PINS AND/OR LOCKS

Unless your tow bar is secured to both vehicles with all designated pins and/or padlocks, *you will lose your towed vehicle.*

FAILURE TO FOLLOW THESE INSTRUCTIONS WILL CAUSE AN ACCIDENT, PROPERTY DAMAGE AND PERSONAL INJURY

CAUTION!

NEVER BACK UP WHEN TOWING YOUR VEHICLE

Backing up while the towed vehicle is attached, will easily "jackknife" the vehicle being towed. This will result in damage to the towed vehicle, hitch, tow bar assembly, and/or motorhome.

Roadmaster, Inc. assumes no responsibility for any damage that is caused by improper use. Backing up with a towed vehicle is considered "improper use".

FAILURE TO FOLLOW THESE INSTRUCTIONS COULD CAUSE AN ACCIDENT, PROPERTY DAMAGE AND PERSONAL INJURY

INSTALLER MUSTS FOR SAFETY

- 1. INSTALLER MUST SHOW OWNER HOW TO OPERATE THE TOW BAR PROPERLY.**
Carefully read the section "*Hook-up Instructions*" and familiarize yourself with the features of the tow bar. Demonstrate it and have the customer do a few "Practice Runs". You not only impress your customer with your thoroughness, but will start your customer off on a safer and happier towing experience.
- 2. INSTALLER MUST CAUTION OWNER TO USE A HITCH OR RECEIVER FOR THE MOTORHOME THAT IS RATED HIGHER THAN THE ACTUAL WEIGHT OF THE TOWED VEHICLE, INCLUDING ALL ITS CONTENTS.**
- 3. INSTALLER MUST CAUTION OWNER TO SECURE TOW BAR TO BOTH VEHICLES WITH DESIGNATED LINCH PINS AND/OR PADLOCKS.**
Unless all the required pins are used to secure the tow bar to both vehicles, the owner *will* lose his towed vehicle.
- 4. INSTALLER MUST BOLT THE FALCON QD BASE TO A MOUNTING BRACKET ATTACHED TO THE TOW VEHICLE'S FRAME OR UNIBODY.**
The *FALCON* tow bar is designed as a bolt-on device only. Virtually all vehicles require a mounting bracket assembly that is connected safely to the frame, unibody or chassis and extends beyond the bumper. Using a mounting bracket kit deisned by ROADMASTER takes the burden of doubt out of the installer's hands. **Under no circumstances should the tow bar be welded to the vehicle, nor should any of the pre-punched mounting holes be altered.** In fact, any welding or altering of the tow bar will void the Owner's Warranty.
- 5. INSTALLER MUST ADVISE OWNER TO ADD 5,000 LB. OR HIGHER RATED SAFETY CABLES.**
A frame to frame safety cables are legal in ALL states.
- 6. INSTALLER MUST STRESS IMPORTANCE OF OWNER SENDING IN WARRANTY CARD.**
New owners are to be urged to send in the *Warranty Registration Card* as soon as possible. This will enable ROADMASTER to expedite any claim or update important information concerning the *FALCON* tow bar.
- 7. INSTALLER MUST READ INSTRUCTIONS THOROUGHLY BEFORE MOUNTING THE TOW BAR.**
Proper mounting of the tow bar is of utmost importance. Proper centering and height positioning of the tow bar will give the owner a safe, dependable and trouble-free towing system.
- 8. INSTALLER MUST BE SURE VEHICLE IS SUITABLE OR ADAPTABLE FOR TOWING.**
Not all vehicles can be safely towed as manufactured. A few models are not towable under any conditions and others with automatic transmissions require additional equipment such as a transmission lube pump, axle lock, driveline disconnect or free-wheeling hubs to make them towable. Failure to properly equip vehicle will result in severe damage to the transmission. The steering wheel **MUST** be unlocked for towing. Check manufacturer's specifications for proper way to unlock the steering wheel.

WARRANTY PROCEDURES

If you have any problems with this product, immediately contact ROADMASTER at 1-800-669-9690. If necessary, we can direct you to your nearest warranty service center and make arrangements for any warranty repairs or replacements. While under warranty, ROADMASTER will make arrangements for your product to be repaired or replaced at no cost to you. **Do not purchase replacement parts or pay for labor - you will not be reimbursed.** See section titled "Roadmaster Limited Warranty" for specific details.

FALCON™ 5250

HOOK-UP INSTRUCTIONS

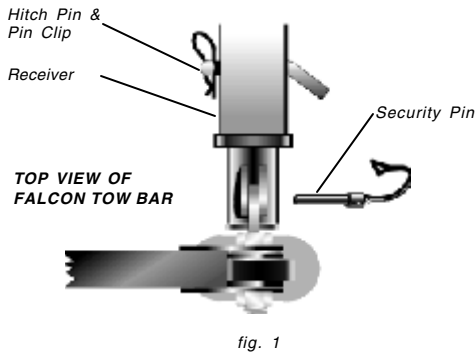
READ INSTRUCTIONS THOROUGHLY

STEP 1

Follow *Installation Instructions* (in separate envelope) to mount **FALCON QD Base**

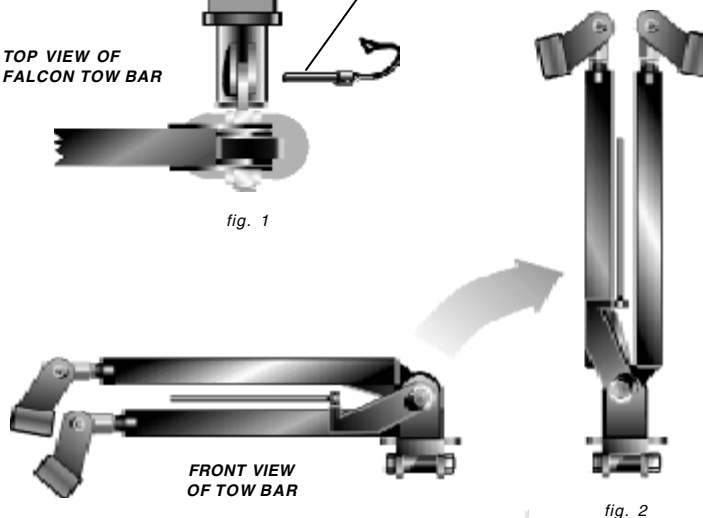
STEP 2

Insert **FALCON** tow bar into receiver (fig.1) and secure with included **Hitch Pin & Pin Clip**. Unclip and remove **Security Pin**.



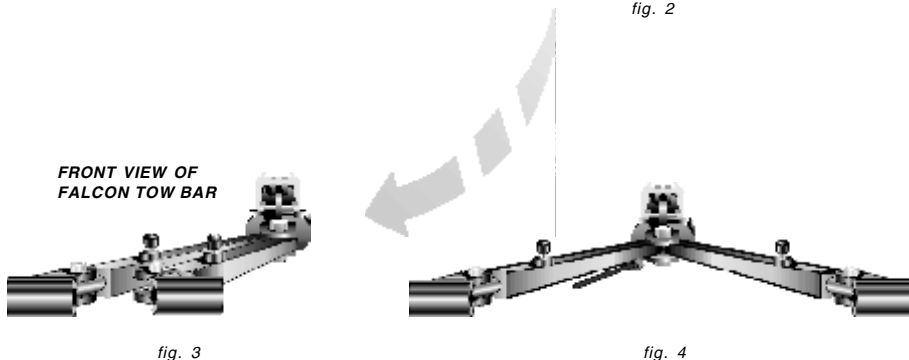
STEP 3

Firmly hold both tow bar arms and lift both arms to the vertical 12 o'clock position (fig. 2).



STEP 4

Bring both arms down to a horizontal position. Swing both arms away from you (fig. 3) aligning the outermost arm with the tabs on the **QD Base**. Using the included **Base Pin**, attach the arm and secure with the linch pin or optional padlock (fig. 5).

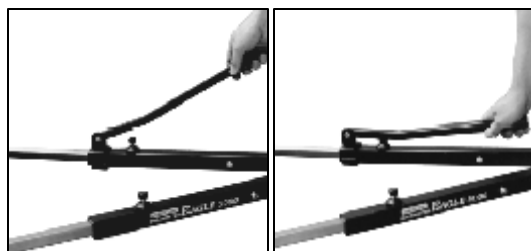


STEP 5

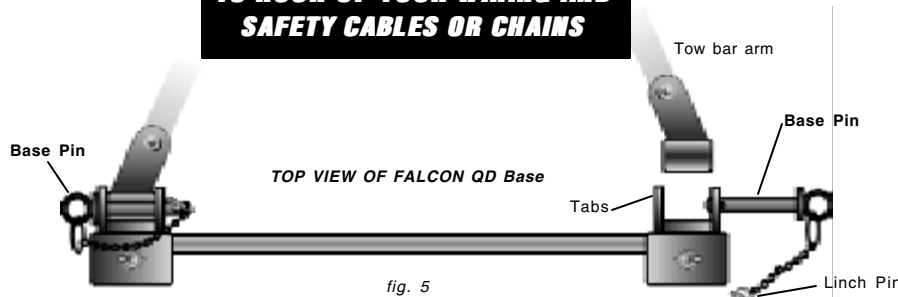
Now, swing the other arm to the opposite side and connect in the same manner (fig. 4). The **FALCON's** unique **"Assist Bushings"** allow easy hook-up as they support most of the tow bar's weight. Your tow bar will center itself and the **AUTOWLOK System** will **"SNAP"** into position as you drive away.

STEP 6

To Disconnect, just reverse your steps to hook-up. If the **Base Pin** is difficult to remove, use the included **Release Tool** to relieve tension (fig. 6).



DON'T FORGET
TO HOOK-UP YOUR WIRING AND
SAFETY CABLES OR CHAINS



FAILURE TO FOLLOW THESE INSTRUCTIONS COULD CAUSE AN ACCIDENT, PROPERTY DAMAGE OR PERSONAL INJURY