

# BLACKHAWK

## INSTALLATION INSTRUCTIONS

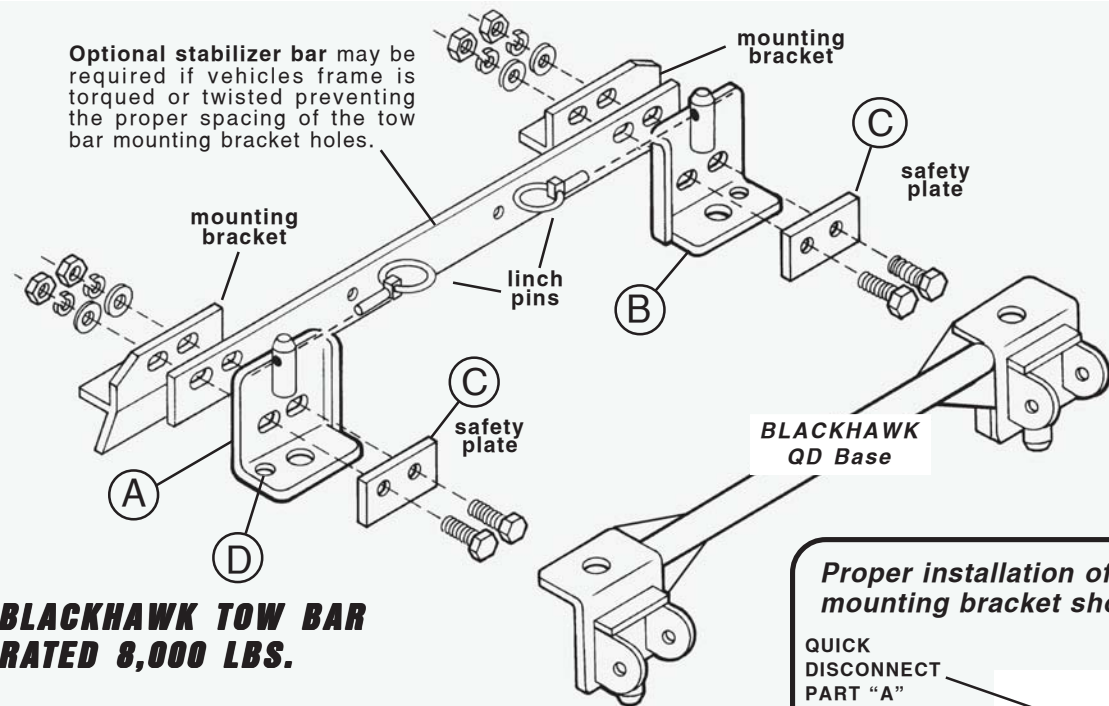


85-1893-02

ALL SPECIFICATIONS ARE SUBJECT TO CHANGE WITHOUT NOTICE

ROADMASTER, INC. 6110 NE 127th Ave. Vancouver, WA 98682 800-669-9690 FAX (360) 735-9300 www.roadmasterinc.com

**OWNERS AND INSTALLERS MUST READ THE INSTALLATION INSTRUCTIONS AND CAREFULLY NOTE THE WARNINGS!**



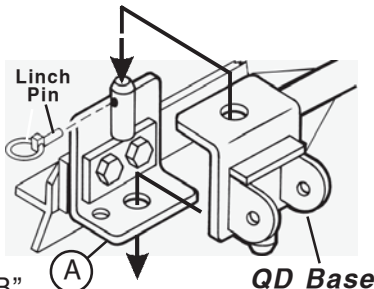
**BLACKHAWK TOW BAR  
RATED 8,000 LBS.**

**1** Take part "A" and mount it on the passenger side as shown, using the supplied 1/2" x 1-1/2" bolts, safety plate "C", flat washers, lock washers and nuts. Do not tighten - leave loose for now - they *will* be tightened later.

**NOTE:** Parts "A & B" have an extra hole "D" designed for safety cable attachment. Mount holes to outside

**2** The remaining part "B" is to be mounted to the driver side of the mounting bracket. Be sure that the corner hole "D", is on the outer side of the bracket parts "A & B" which must also have the vertical pin facing upward to properly mount the **QD Base**. Use the supplied 1/2" x 1-1/2" bolts, safety plate "C", flat washers, lock washers and nuts. Do not tighten - leave loose for now, they *will* be tightened later.

**3** Now, mount the **QD Base** by lowering it so that the vertical pins of parts "A & B" extend upward through the top holes of the **QD Base**. At the same time, be sure the lower vertical pins of the **QD Base** slide through the lower holes on parts "A & B".

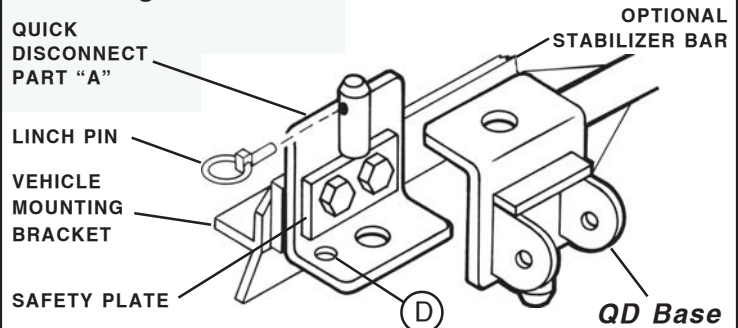


**4** Linch pins **must** be inserted through the upper holes in parts "A & B" and **locked** as illustrated in the column above to keep the **QD Base** stabilized.



**IMPORTANT:** Towing vibrations will force the linch pins to wiggle out unless they are properly **LOCKED** in place over the Quick-Disconnect pins. The proper locked position for the linch pins is illustrated above.

**Proper installation of Quick-Disconnect at vehicle mounting bracket should look like this illustration**



**WARNING:** Failure to install linch pins properly will result in tow warningbar malfunction, loss and damage to your vehicle and property, injury or even death. You will lose your car.

**ABOUT QUICK-DISCONNECTS:** When installing the Quick-Disconnects they need to be centered on the tow vehicle. If installed too far to either left or right it will cause excessive tire wear, since the towed vehicle will be pulled at a slight angle instead of straight on.

**5** Now tighten all bolts to 75 ft.lbs. Attach safety cables to the holes "D" located to the outside of Quick Disconnect parts "A & B".

**WARNING:** Unless the safety cables are attached to the Quick-Disconnect mount properly, hole "D", the safety cables will not keep you from losing your towed vehicle in the event the QD Base comes off parts "A & B".

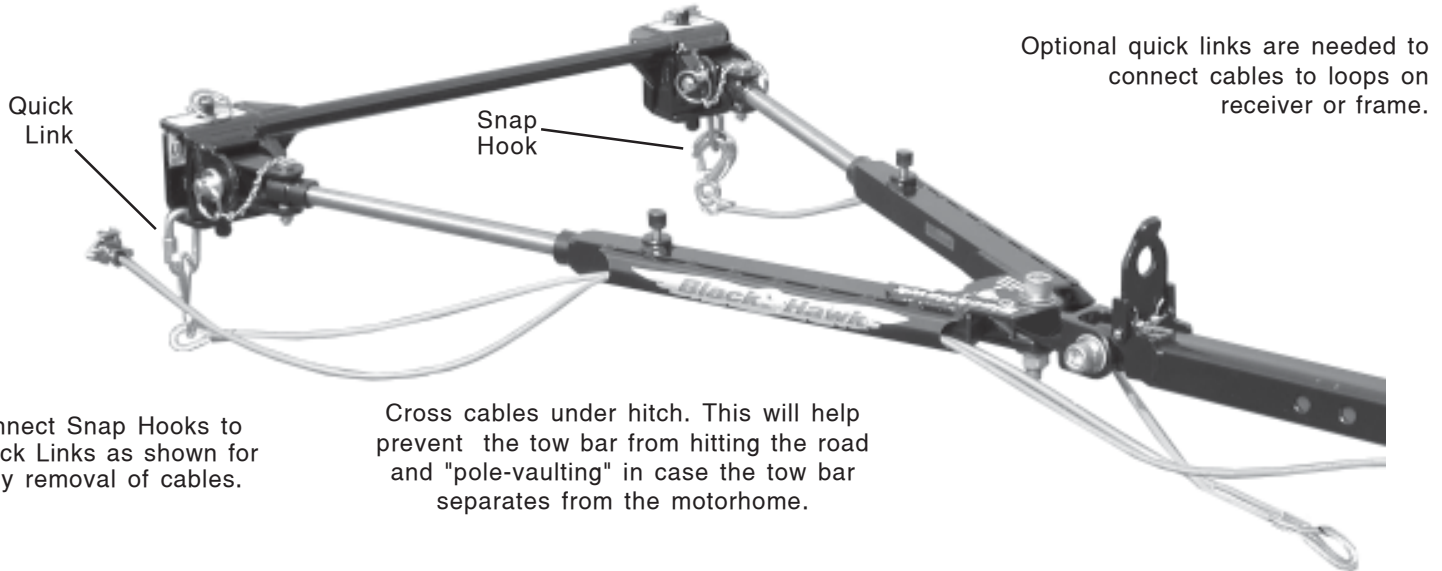
**ROADMASTER RECOMMENDS REPLACING AT LEAST ONE LINCH PIN WITH A PADLOCK TO PREVENT ACCIDENTAL RELEASE OR THEFT.**

## CAUTION

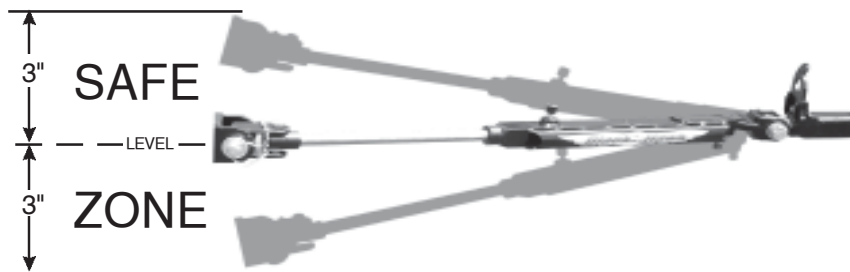
SAFETY CABLES MUST CONNECT THE TOWING VEHICLE TO THE TOWED VEHICLE FRAME TO FRAME.  
FOLLOW SAFETY INFORMATION IN WARRANTY PACKET

### PROPER INSTALLATION OF SAFETY CABLES

**WARNING:** USE ONLY 8,000 LB. RATED SAFETY CABLES



**ON LEVEL GROUND, DO NOT TOW IF TOW BAR IS OVER 3 INCHES OFF LEVEL IN EITHER DIRECTION**



Towing with an upward or downward slope of the tow bar puts undue strain on the tow bar and mounting brackets. **DO NOT TOW** if the **BLACKHAWK** is over 3 inches off level as shown (see CAUTION below). To determine if your bar is at a safe angle:

- Connect car and motorhome on level ground.
- Measure from the ground to the center of the receiver.
- Measure from the ground to the center of the base pin.
- Compare these two measurements. If they are more than 6" apart you will need to use a Receiver Drop. This will increase or decrease the height of the motorhome's receiver as needed.

## CAUTION!

If you use any kind of receiver extension then the tow bar **MUST** be within 3 inches of level instead of 6 inches (see illustration above). The added length will cause the tow bar to swing higher and lower when going through severe dips and bumps. This can result in severe damage to the towing assembly. ROADMASTER does not recommend using any extension over 12 inches. Doing so will void your warranty.

**FAILURE TO FOLLOW THESE INSTRUCTIONS CAN RESULT IN DEATH, PERSONAL INJURY OR PROPERTY DAMAGE**

## DANGER

### **DO NOT TOW YOUR VEHICLE UNTIL TOW BAR IS SECURE WITH ALL PINS AND/OR LOCKS**

Unless your tow bar is secured to both vehicles with all designated pins and/or padlocks, *you will lose your towed vehicle.*

**FAILURE TO FOLLOW THESE INSTRUCTIONS WILL CAUSE AN ACCIDENT, PROPERTY DAMAGE AND PERSONAL INJURY**

## CAUTION!

### **NEVER BACK UP WHEN TOWING YOUR VEHICLE**

Backing up while the towed vehicle is attached, will easily "jackknife" the vehicle being towed. This will result in damage to the towed vehicle, hitch, tow bar assembly, and/or motorhome.

Roadmaster, Inc. assumes no responsibility for any damage that is caused by improper use. Backing up with a towed vehicle is considered "improper use".

**FAILURE TO FOLLOW THESE INSTRUCTIONS COULD CAUSE AN ACCIDENT, PROPERTY DAMAGE AND PERSONAL INJURY**

## INSTALLER MUSTS FOR SAFETY

- 1. INSTALLER MUST SHOW OWNER HOW TO OPERATE THE TOW BAR PROPERLY.**  
Carefully read the section "*Hook-up Instructions*" and familiarize yourself with the features of the tow bar. Demonstrate it and have the customer do a few "Practice Runs". You not only impress your customer with your thoroughness, but will start your customer off on a safer and happier towing experience.
- 2. INSTALLER MUST CAUTION OWNER TO USE A HITCH OR RECEIVER FOR THE MOTORHOME THAT IS RATED HIGHER THAN THE ACTUAL WEIGHT OF THE TOWED VEHICLE, INCLUDING ALL ITS CONTENTS.**
- 3. INSTALLER MUST CAUTION OWNER TO SECURE TOW BAR TO BOTH VEHICLES WITH DESIGNATED LINCH PINS AND/OR PADLOCKS.**  
Unless all the required pins are used to secure the tow bar to both vehicles, the owner *will* lose his towed vehicle.
- 4. INSTALLER MUST BOLT THE BLACKHAWK QD BASE TO A MOUNTING BRACKET ATTACHED TO THE TOW VEHICLE'S FRAME OR UNIBODY.**  
The **BLACKHAWK** tow bar is designed as a bolt-on device only. Virtually all vehicles require a mounting bracket assembly that is connected safely to the frame, unibody or chassis and extends beyond the bumper. Using a mounting bracket kit designed by ROADMASTER takes the burden of doubt out of the installer's hands. **Under no circumstances should the tow bar be welded to the vehicle, nor should any of the pre-punched mounting holes be altered.** In fact, any welding or altering of the tow bar will void the Owner's Warranty.
- 5. INSTALLER MUST ADVISE OWNER TO ADD 8,000 LB. OR HIGHER RATED SAFETY CABLES.**  
Frame to frame safety cables are legal in ALL states.
- 6. INSTALLER MUST STRESS IMPORTANCE OF OWNER SENDING IN WARRANTY CARD.**  
New owners are to be urged to send in the *Warranty Registration Card* as soon as possible. This will enable ROADMASTER to expedite any claim or update important information concerning the **BLACKHAWK** tow bar.
- 7. INSTALLER MUST READ INSTRUCTIONS THOROUGHLY BEFORE MOUNTING THE TOW BAR.**  
Proper mounting of the tow bar is of utmost importance. Proper centering and height positioning of the tow bar will give the owner a safe, dependable and trouble-free towing system.
- 8. INSTALLER MUST BE SURE VEHICLE IS SUITABLE OR ADAPTABLE FOR TOWING.**  
Not all vehicles can be safely towed as manufactured. A few models are not towable under any conditions and others with automatic transmissions require additional equipment such as a transmission lube pump, axle lock, driveline disconnect or free-wheeling hubs to make them towable. Failure to properly equip vehicle will result in severe damage to the transmission. The steering wheel **MUST** be unlocked for towing. Check manufacturer's specifications for proper way to unlock the steering wheel.

### WARRANTY PROCEDURES

If you have any problems with this product, immediately contact ROADMASTER at 1-800-669-9690. If necessary, we can direct you to your nearest warranty service center and make arrangements for any warranty repairs or replacements. While under warranty, ROADMASTER will make arrangements for your product to be repaired or replaced. **Do not purchase replacement parts or pay for labor - you will not be reimbursed.** See section titled "Roadmaster Limited Warranty" for specific details.

# BLACKHAWK™

## HOOK-UP INSTRUCTIONS

READ INSTRUCTIONS THOROUGHLY

### WARNING:

Use caution when operating the tow bar to be sure that your hands, fingers or any part of your body does not get caught between any moving components. Doing so can result in pinching, crushing or cutting causing severe personal injury.

### STEP 1

Follow **Installation Instructions** to mount **BLACKHAWK QD Base** (Fig. 4).

### STEP 2

With the **BLACKHAWK** tow bar in the folded position (Fig.1), insert it into the motorhome's receiver and secure with **Hitch Pin & Pin Clip**.

### STEP 3

Firmly hold both tow bar arms and rotate them so that they are vertical as shown in Figure 2. **WARNING: Never let go of the arms when they are in the vertical position. The arms can fall and cause severe injury if any part of your body is in the way.**

### STEP 4

Push the release latch forward to bring both arms down to a horizontal position (Fig. 3). Swing both arms away from you aligning the outermost arm with the tabs on the **QD Base** (Fig. 4). Using the included **Base Pin**, attach the arm and secure with the linch pin or optional padlock.

### STEP 5

Now, swing the other arm to the opposite side and connect in the same manner. **WARNING: Make sure that all pins and /or locks are in place and properly secured before towing or you will lose your towed vehicle.**

### STEP 6

Your tow bar will center itself and the **AUTOWLOK System** will lock into place as you drive away. **To Disconnect**, just reverse your steps to hook-up.



fig. 2

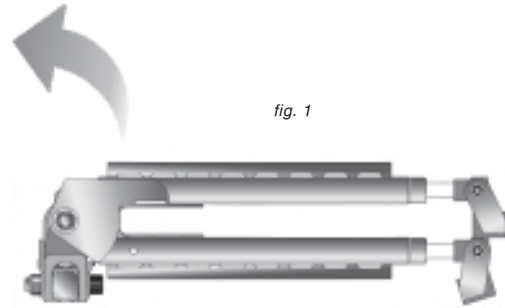


fig. 1

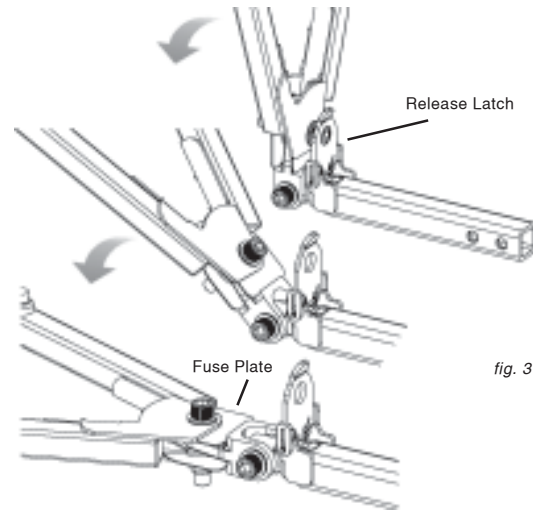


fig. 3

**DON'T FORGET  
TO HOOK-UP YOUR WIRING AND  
SAFETY CABLES OR CHAINS**

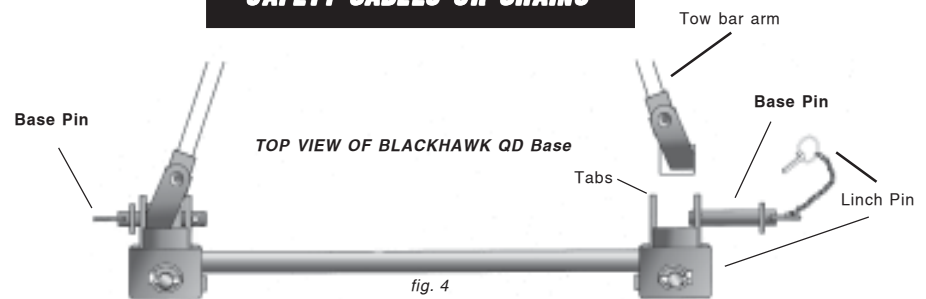
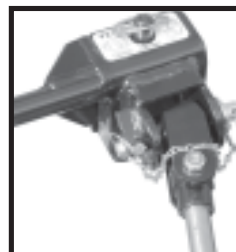


fig. 4



**IMPORTANT**  
**BLACKHAWK Base Pins**  
**MUST BE INSTALLED**  
and locked as shown in  
this photo

READ AND FOLLOW THE WARNINGS AND INSTRUCTIONS INCLUDED IN YOUR TOW BAR OWNER'S MANUAL. FAILURE TO FOLLOW THESE INSTRUCTIONS **COULD CAUSE PERSONAL INJURY, PROPERTY DAMAGE OR DEATH.**