



Time Tested • Time Proven

854041-02 10.14

Standard wiring codes for Roadmaster products

All specifications are subject to change without notice.

ROADMASTER, Inc. 6110 NE 127th Ave. Vancouver, WA 98682 800-669-9690 Fax: 360-735-9300 www.roadmasterinc.com

Before you begin an installation...

...use the diagrams below to wire vehicles for towing. Some motorhome manufacturers will use different wire colors than listed below; therefore, it is always recommended to use a test light (or meter) to verify circuits before wiring a vehicle. It is also recommended that you verify vehicle-specific information from the manufacturer or dealership before undertaking a wiring project. Wiring information for many vehicles is also available at www.roadmasterinc.com under 'Vehicle Specific Information.'



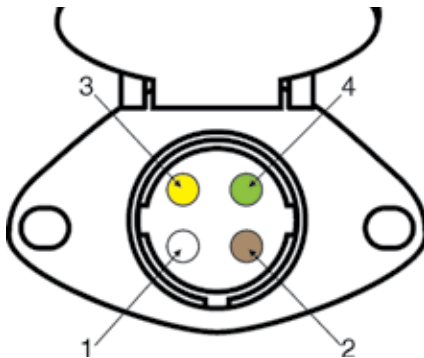
WARNING

These instructions pertain to wiring for ROADMASTER products only.

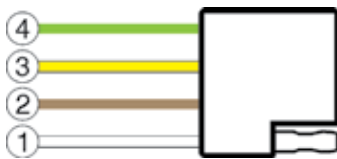
Read all instructions before wiring a vehicle using ROADMASTER products. Wire the towed vehicle according to the instructions below. Improperly wiring the towed vehicle may cause electrical malfunction or other damage, which may result in property damage, personal injury or even death.

4-wire socket, plug and flat connector

front of socket

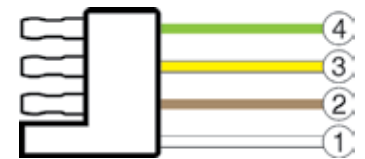
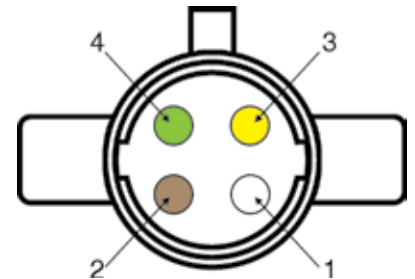


Socket Pin Number	Wire Color	Motorhome/ Towed Vehicle
1	White	Ground
2	Brown	Taillights
3	Yellow	Left Turn/Stop
4	Green	Right Turn/Stop



4-wire flat connector

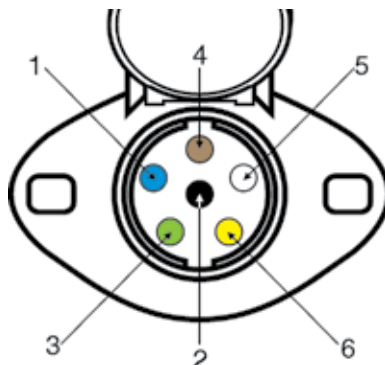
front of plug



4-wire flat connector

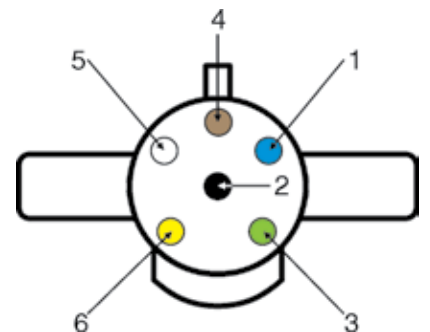
6-wire socket and plug

front of socket



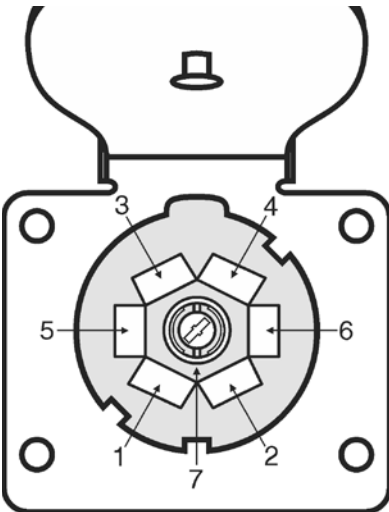
Socket Pin Number	Wire Color	Motorhome/ Towed Vehicle
1	Blue	Brake monitor light (electric trailer brakes)
2	Black	Auxiliary/Charge
3	Green	Right Turn/Stop
4	Brown	Taillights
5	White	Ground
6	Yellow	Left Turn/Stop

front of plug



7- to 6-wire

front of 7-wire socket

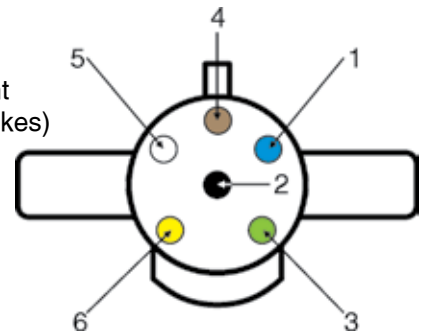


Socket Pin Number	Socket Code	Roadmaster wire code	Motorhome/ Towed Vehicle
1	White	White	Ground
2	Blue	Blue	Brake monitor light (electric trailer brakes)
3	Green	Brown	Taillights
4	Black	Black	Charge line
5	Red	Yellow	Left turn/stop
6	Brown	Green	Right turn/stop
7	Yellow	N/A*	Auxiliary/Access

* N/A designation means this socket is not used in this wiring configuration.

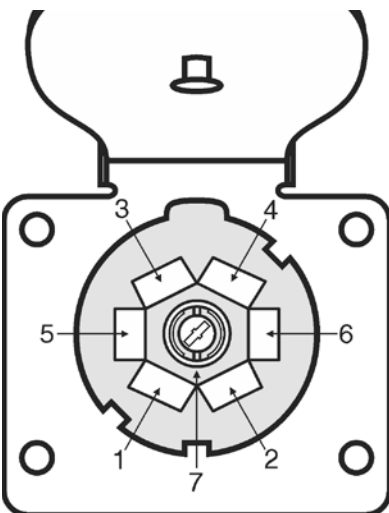
front of 6-wire plug

Socket Pin Number	Wire Color	Motorhome/ Towed Vehicle
1	Blue	Brake monitor light (electric trailer brakes)
2	Black	Auxiliary/Charge
3	Green	Right Turn/Stop
4	Brown	Taillights
5	White	Ground
6	Yellow	Left Turn/Stop



7- to 4-wire

front of 7-wire socket



Socket Pin Number	Socket Code	Roadmaster wire code	Motorhome/ Towed Vehicle
1	White	White	Ground
2	Blue	Blue	Brake monitor light (electric trailer brakes)
3	Green	Brown	Taillights
4	Black	Black	Charge line
5	Red	Yellow	Left turn/stop
6	Brown	Green	Right turn/stop
7	Yellow	N/A*	Auxiliary/Access

* N/A designation means this socket is not used in this wiring configuration.

front of 4-wire plug

Socket Pin Number	Wire Color	Motorhome/ Towed Vehicle
1	White	Ground
2	Brown	Taillights
3	Yellow	Left Turn/Stop
4	Green	Right Turn/Stop

