



Time Tested • Time Proven

854583-03 08-15

Rollaway™ Hitch Protector

part number 050

Installation Instructions

All specifications are subject to change without notice

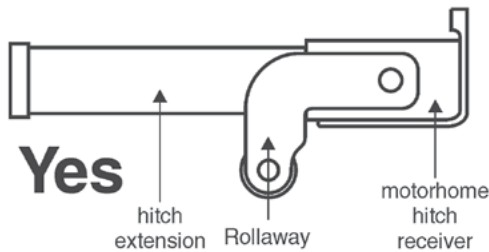
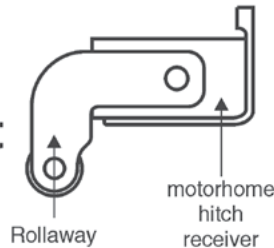
ROADMASTER, Inc. 6110 NE 127th Ave. Vancouver, WA 98682 800-669-9690 Fax: 360-735-9300 www.roadmasterinc.com

WARNING

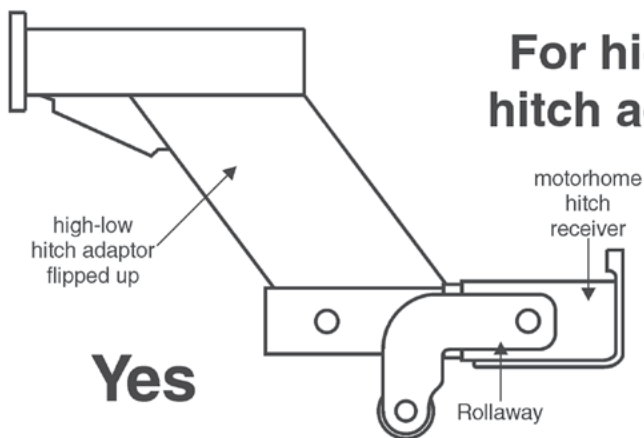
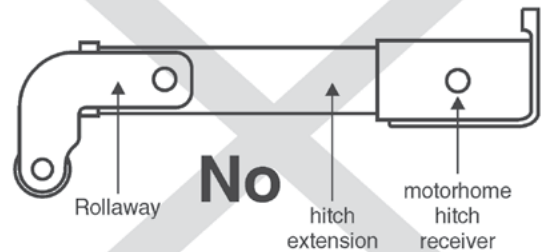
Attach Rollaway to the motorhome hitch receiver **ONLY**. An extension, adaptor or other device may only be attached **THROUGH** Rollaway, as shown below.

Failure to follow these instructions will cause the extension, adaptor or other device to break, resulting in property damage, personal injury or even death.

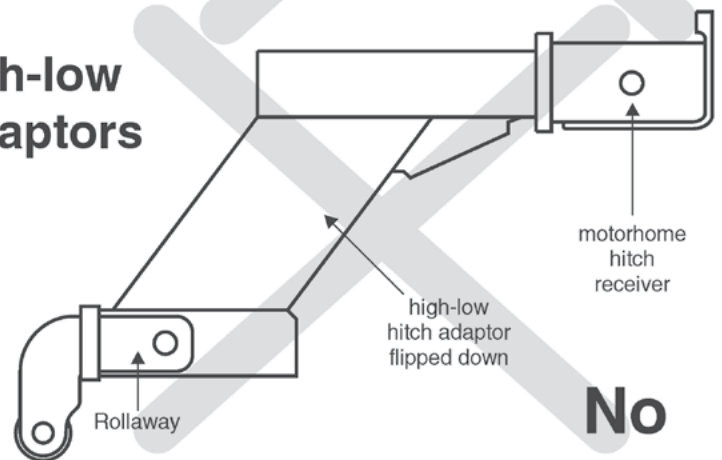
Standard attachment



For hitch extensions



For high-low hitch adaptors



IMPORTANT NOTICE! Safety Definitions

These instructions contain information that is very important to know and understand. This information is provided for safety and to prevent equipment problems. To help recognize this information, observe the following symbols.

WARNING

WARNING indicates a potentially hazardous situation which, if not avoided, could result in property damage, serious personal injury or even death.

CAUTION

CAUTION indicates a potentially hazardous situation which, if not avoided, may result in property damage, or minor or moderate personal injury.

CAUTION

CAUTION used without the safety alert symbol indicates a potentially hazardous situation which, if not avoided, may result in property damage.

NOTE

Refers to important information and is placed in italic type. It is recommended that you take special notice of these items.

Installation instructions

CAUTION

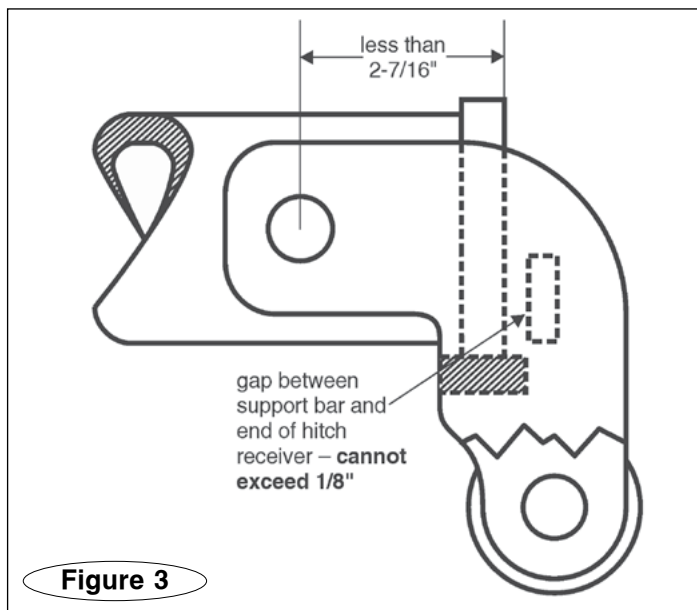
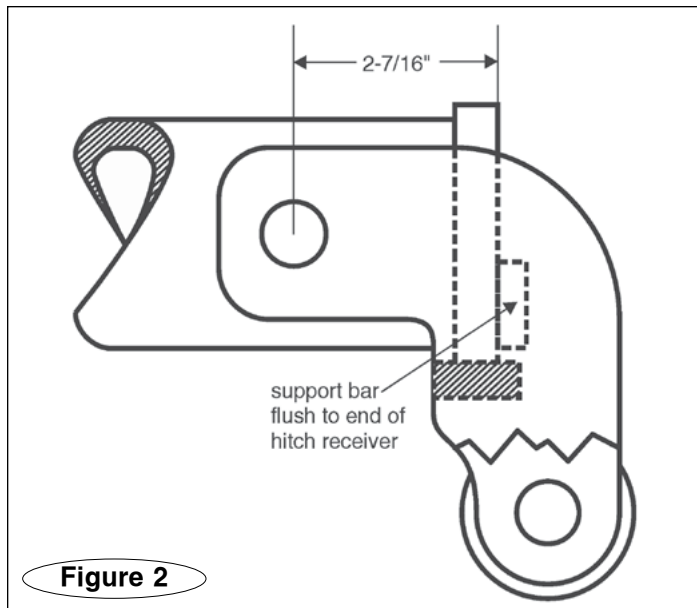
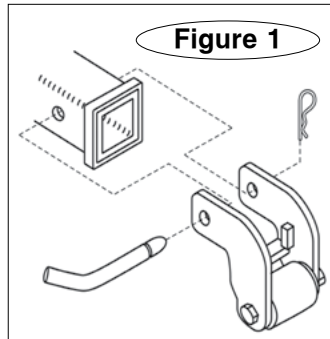
Read the instructions before using the Rollaway. Failure to understand how to attach this product could result in property damage or other consequential, non-warranty damage.



1. The Rollaway will fit most square tube hitch receivers with 2" inner diameters.

To attach the Rollaway, slide it over the end of the hitch receiver until the holes at each side of the Rollaway align to the holes in the hitch receiver, as shown in Figure 1.

Secure the Rollaway in place with the included hitch pin and clip.



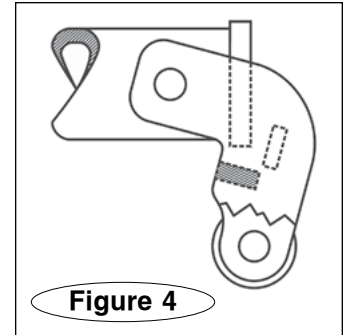
2. **IMPORTANT – check the fit.** The Rollaway is designed for a standard hitch receiver with a distance of 2-7/16" between the center of the hitch pin hole and the end of the hitch receiver, as shown in Figure 2.

At this distance, the support bar (Figure 2) fits flush to the end of the hitch receiver. The support bar will hold the Rollaway tightly in place and level to the hitch receiver.

If the distance is less than 2-7/16", there will be a gap between the support bar and the hitch receiver (Figure 3). If the gap is less than 1/8", the Rollaway will still be held in place.

If the gap is more than 1/8", the Rollaway will not be held in place (Figure 4), which may damage the Rollaway, the hitch receiver or other ancillary components when the vehicle is driven.

If there is more than 1/8" between the support bar and the end of the hitch receiver, weld shims of the appropriate width to either the hitch receiver or to the Rollaway, as shown in Figure 5.



CAUTION
If there is more than 1/8" between the support bar and the end of the hitch receiver, do not use the Rollaway without shims, as described above. Otherwise, non-warranty damage to the Rollaway, the hitch receiver or other components may occur.

