



Time Tested • Time Proven

www.roadmasterinc.com/patents

855286-18 08.23

ROADMASTER, Inc. 6110 NE 127th Ave. Vancouver, WA 98682 800-669-9690 Fax: 360-735-9300 www.roadmasterinc.com

Spare Tire Carrier

part number 195225-S
(and other submodels, some of which may look slightly different)

Assembly and operating instructions

All specifications are subject to change without notice.

CAUTION

Read all instructions before assembling or operating this device. Failure to understand how to properly assemble or operate the spare tire carrier could result in extensive property damage or severe personal injury.

WARNING

Do not use a hitch extension, a high-low hitch or any similar product in conjunction with the spare tire carrier, or failure of any of these components may occur resulting in property damage, personal injury or even death.

Assembly instructions

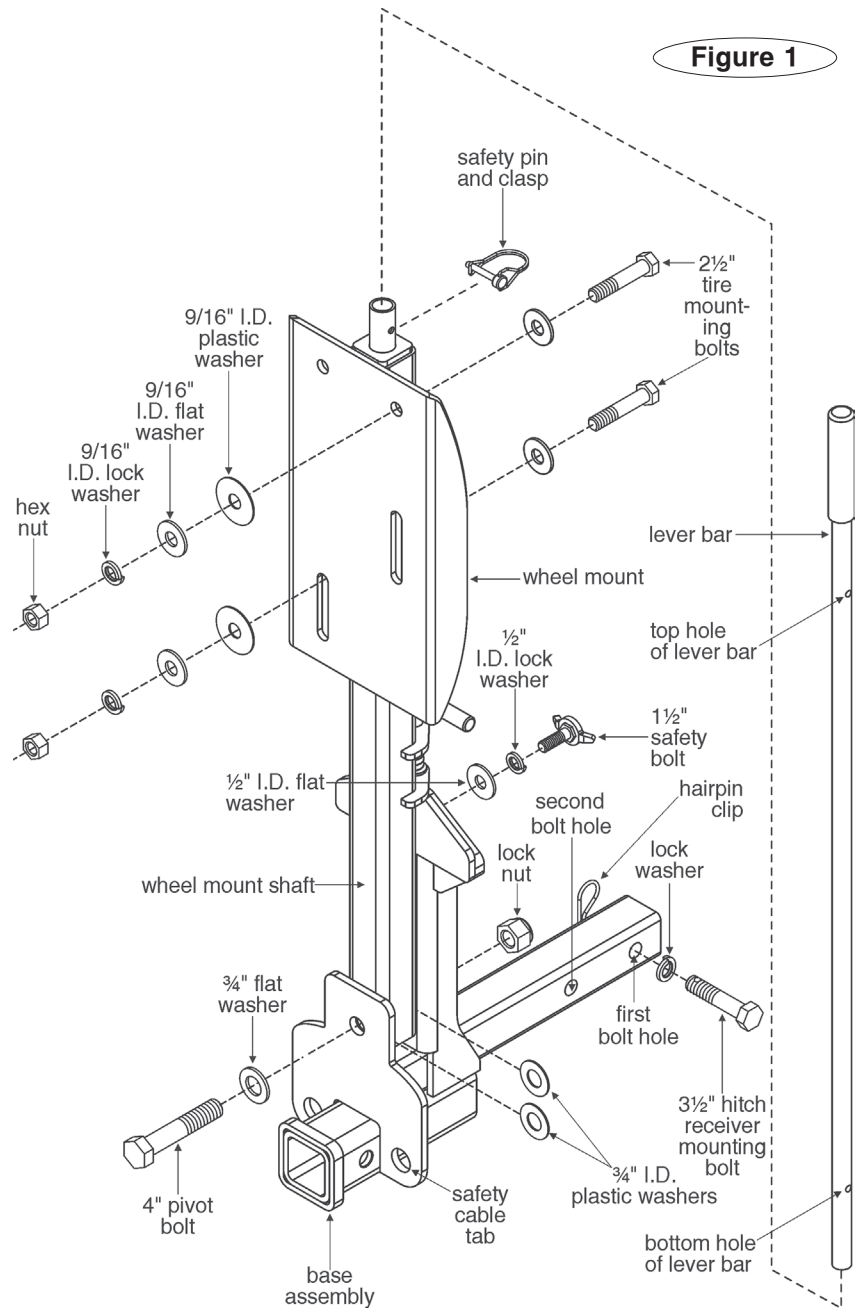
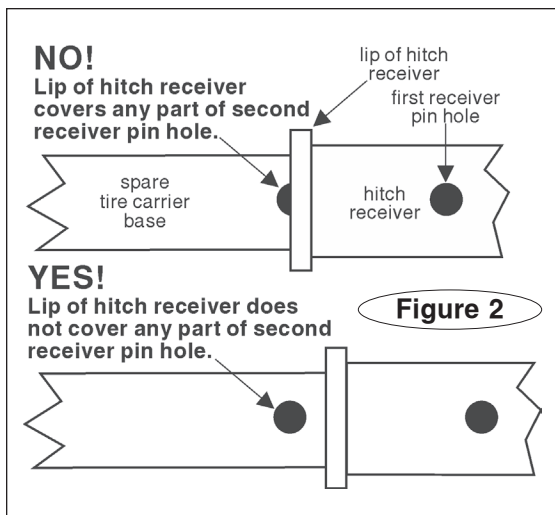
Tools required

- torque wrench
- Socket wrenches in the following sizes: 3/4"; 13/16"; 7/8"; 15/16"; and 1-1/8"

1. Slide the base assembly (Figure 1) into the motorhome hitch receiver until one of the two bolt holes (Figure 1) aligns to the corresponding hole in the hitch receiver.

WARNING

Do not use the Spare Tire Carrier if any part of the bolt hole is over the lip of the hitch receiver, as shown in Figure 2. Over time, this will cause the shank of the Spare Tire Carrier base to break at that point.



2. Although not required, we recommend using Loctite® Red on the 3 1/2" hitch receiver mounting bolt.

Now use the 15/16" socket wrench to attach the 3 1/2" hitch bolt (Figure 1), with the lock washer under the bolt head. Torque to 100 ft./lbs. Secure it with the provided hairpin clip or with an optional padlock, ROADMASTER part number 301.

continued on next page

3. Position the wheel mount (Figure 1) on top of the base assembly as shown in Figure 1.

Attach the 4" pivot bolt – use the ¾" flat washer and both of the ¾" plastic washers (one on either side of the wheel mount shaft) and secure the bolt with the lock nut, using the 1-1/8" socket wrench.

Torque the pivot bolt to 50 ft./lbs.

CAUTION

Hold the wheel mount in place until it is secured. The wheel mount is heavy and can cause property damage or severe personal injury if it is allowed to fall.

Note: There are two sizes of plastic washers in this kit. Although they look the same, one set has an inner diameter of ¾" and the other has an inner diameter of 9/16".

4. Attach the safety bolt and hand-tighten the bolt.

Note: If you will be installing a spare tire at this time, do not attach the safety bolt.

CAUTION

DO NOT DRIVE THE MOTORHOME WITHOUT THE SAFETY BOLT IN PLACE. The safety bolt will hold the wheel mount shaft upright if the locking mechanism should fail. Property damage, personal injury or other consequential, non-warranty damage can occur if the locking mechanism fails and the safety bolt is not attached.

Spare tire installation

5. Remove the safety bolt (if it is attached).

Insert the lever bar and pin the bottom hole of the bar to the wheel mount shaft with the safety pin and clasp, as shown in Figure 1.

Lift the release handle (Figure 3) until it clears the retaining slot (Figure 3). Holding the lever bar, swing the spare tire carrier to the ground.

CAUTION

Be careful when lowering the spare tire carrier. Property damage or severe personal injury can result if it is allowed to fall.

6. Roll the spare tire up to the spare tire carrier.

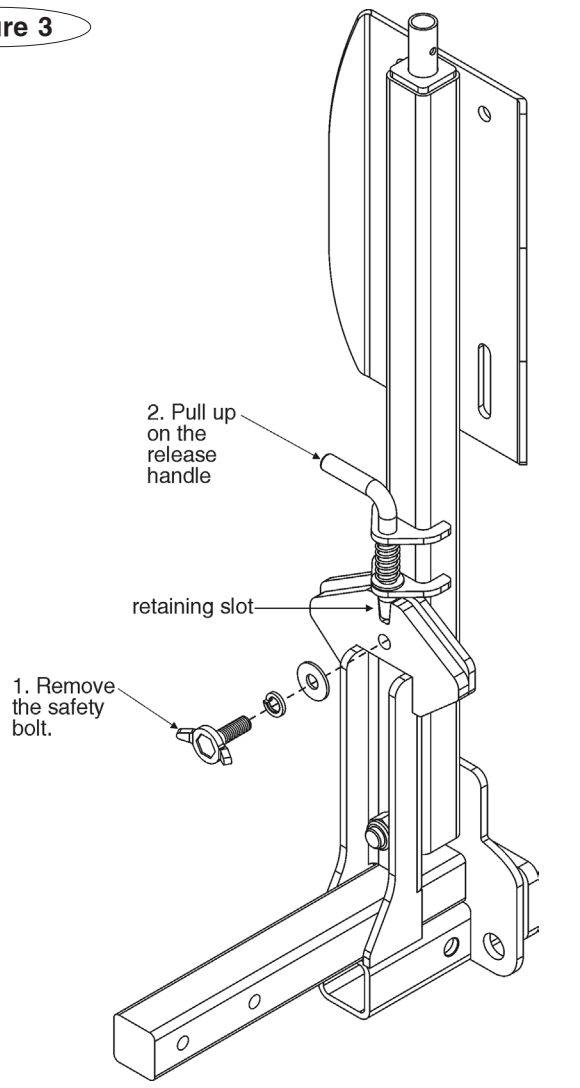
Align the two lug holes in the wheel which are most opposite each other to the corresponding slots in the wheel mount.

7. Secure the wheel to the Spare Tire Carrier using the nuts, bolts and washers shown in Figure 1. Make certain that you position the plastic washers directly against the tire carrier and the face of the wheel to protect the finish.

Use the 13/16" and 7/8" socket wrenches to attach the hex nuts and 2½" tire mounting bolts.

Note: The lug holes in the wheel may be much larger than the bolts; however, the wheel will still be held securely in place as long as the washers cover the lug bolt holes.

Figure 3



CAUTION

Position the plastic washers directly against the spare tire carrier. This will help protect the wheel from any marring. Failure to follow these instructions may cause scratches and other non-warranty damage to the wheel.

CAUTION

8. Make certain that the bottom hole of the lever bar is secured to the wheel mount shaft with the safety pin and clasp. Then use the lever bar to raise the spare tire carrier up to the vertical position.

If necessary, pull up on the release handle until it drops into the retaining slot.

Do not let go of the spare tire carrier until the release handle drops into position. The carrier and spare tire are heavy and can cause property damage or severe personal injury if they are allowed to fall.

9. Unpin the lever bar and let it slide inside the wheel mount shaft; reattach the safety pin to the top hole (Figure 1).

10. Attach the safety bolt.

 **CAUTION**

DO NOT DRIVE THE MOTORHOME WITHOUT THE SAFETY BOLT IN PLACE. The safety bolt will hold the wheel mount shaft upright if the locking mechanism should fail. Property damage, personal injury or other consequential, non-warranty damage can occur if the locking mechanism fails and the safety bolt is not attached.

Safety cable attachment

11. When towing, the safety cable tabs (Figure 1) can be used to attach safety cables.

Maintenance

12. At the beginning of each towing season, check to ensure that all fasteners are tight.

 **WARNING**

Using the spare tire carrier will decrease the weight capacity of the vehicle's hitch receiver by one third. This lowered capacity must still be more than the weight of a towed vehicle or hitch accessory attached to the spare tire carrier.

If it is not, replace the hitch receiver with one that has the appropriate weight capacity. Otherwise, structural failure will occur.

 **WARNING**

The spare tire carrier has a maximum carrying capacity of 10,000 pounds and a maximum tongue weight of 400 pounds (excluding the weight of the wheel and carrier). Do not exceed these weight capacities or structural failure will occur.

If a longer power cord is necessary...

Hitch accessories such as the spare tire carrier will extend the length of the towing system. If your power cord is too short, longer versions are available.

Call or click (800-669-9690; roadmasterinc.com) for more information.

HARDWARE LIST

Item	Qty	Part number	Description
1	1	200085-50	lever grip
2	1	350185-00	3/4-10 x 4" grade 5 bolt
3	2	350216-25	9/16-12 x 2 1/2" grade 5 bolt
4	2	350260-00	9/16-12 hex nut
5	1	350265-00	3/4-10 nylon lock nut
6	2	350311-10	9/16" lock washer
7	1	350314-20	3/4" SAE washer
8	2	350372-60	9/16" nylon washer
9	1	357036-00	3/16" R-clip
10	1	A005102	5/8-11 x 3 1/2" grade 8 bolt
11	1	1950-00	lever bar with grip
12	1	C-002740	tire mounting plate
13	1	C-002780	main receiver hitch
14	1	357395-58	5/8" external snap ring
15	1	B-002718	5/8" lock pin
16	1	350348-80	5/8" SAE flat washer
17	1	200695-50	0.845" x 2.00" compression spring
18	4	350347-00	9/16" USS flat washer
19	1	357000-50	1/4" lynch pin
20	2	350358-00	3/4" acetal washer
21	1	350309-00	1/2" lock washer
22	1	350308-00	1/2" flat washer
23	1	C-002956	safety bolt
24	1	350734-00	5/8" lock washer

