



Tow bar adapter kit

part numbers 039-1 and 039-2

Time Tested • Time Proven

856262-02 11.22

ROADMASTER, Inc. 6110 NE 127th Ave. Vancouver, WA 98682 800-669-9690 Fax 360-735-9300 www.roadmasterinc.com

Installation Instructions

WARNING

Read all instructions before installing this kit. Failure to understand how to properly install the kits could result in property damage, personal injury or even death.

WARNING

This kit is designed to adapt most triple lug tow bars to late model Roadmaster baseplates.

Use of a single lug system can damage the 039-1 or 039-2 adapter, resulting in non-warranty failure of the towing system.

See Figure 2 for triple lug and single lug differences.

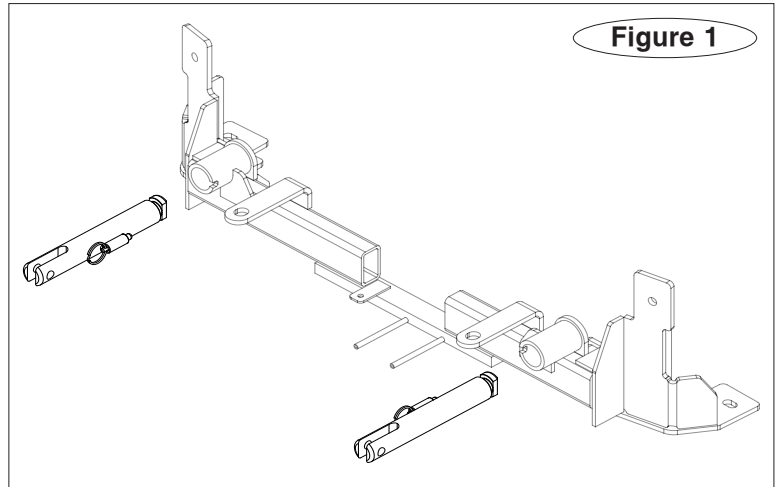


Figure 1

1. Remove the Roadmaster receiver arms from your baseplate.

2. The 039-2 adapter replaces the existing Roadmaster baseplate receiver arms. Insert the adapters as shown in Figure 1 and rotate them clockwise until the spring latches lock into the baseplate. Remove the adapters by pulling the key ring and rotating in the opposite direction. **Please note: It is the owner's responsibility to ensure the locking of the pins before towing. Otherwise, failure of the towing system will result.**

CORRECT!

Figure 2



correct



triple lug arm example

INCORRECT!



incorrect



single lug arm example